

Cooper Bussmann

Homepage
About Cooper Bussmann
Contact Us
Privacy
Legal
Cooper Bussmann® Brand
Site Map

S505-1-R

TIME DELAY, 5 X 20 mm, CERAMIC

Product Information

| | |
|-----------------|-----------------|
| Product Type: | Fuse |
| Product Family: | Electronic |
| Brand: | Cooper Bussmann |

Recommended Products

| | |
|-------------------------------|-------------------------------|
| Rec. Fuse Block: | HTC-15M |
| Rec. Inline Fuse Holder: | HHT |
| Rec. Panel-mount Fuse Holder: | HTB Series |
| Rec. Fuse Clips: | 1A3399 Series |

Physical Properties

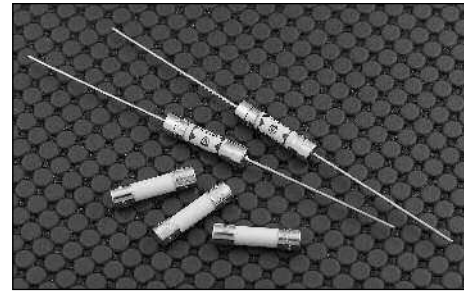
| | |
|-------------|-----------------------------------|
| Dimensions: | 0.79in.(L) × 0.19in.(W) × 0in.(H) |
|-------------|-----------------------------------|

Electrical Properties

| | |
|--------------------------|--|
| Maximum AC Voltage: | 250 |
| Amperage Rating: | 1 |
| AC Interrupting Ratings: | <ul style="list-style-type: none">• 1500 at 250V |
| Time Delay: | Yes |

Description

- Time delay, high breaking capacity
- Optional axial leads available
- 5mm x 20mm physical size
- Ceramic tube, nickel plated brass endcap construction
- Designed to IEC 60127-2 (1A-12A)



| ELECTRICAL CHARACTERISTICS | | | | | | | | |
|----------------------------|---------------|---------------|---------|--------|--------|-------|-------|--------|
| In | 1.5 In min | 2.1 In max | 2.75 In | | 4 In | | 10 In | |
| In | min | max | min | max | min | max | min | max |
| <1A | 60 min | 30 min | 250 ms | 80 sec | 50 ms | 5 sec | 5 ms | 55 ms |
| 1A-3.15A | 60 min | 30 min | 1 sec | 80 sec | 95 ms | 5 sec | 10 ms | 100 ms |
| 4A-10A | 60 min | 30 min | 1 sec | 80 sec | 150 ms | 5 sec | 20 ms | 100 ms |
| 12.5A | -- | 30 min | 1 sec | 80 sec | 150 ms | 5 sec | 20 ms | 100 ms |

Agency Information

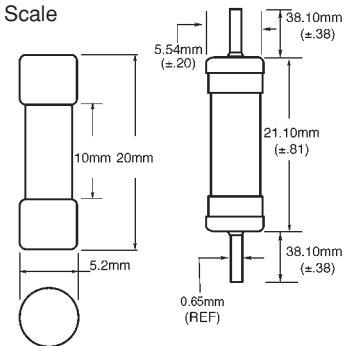
- UL Recognized Card: (500mA-12A) Guide JDYX2, File E19180
- CSA Component Acceptance: File 53787, 500mA-10A
- SEMKO Approval, 500mA-10A
- VDE Approval, 500mA-10A
- BSI Approval, 500mA-10A
- IMQ Approval, 500mA-10A
- CCC Approval, 500mA-6.3A

Ordering

- Specify packaging, product, and option code
- For -R option, drop mA or A from product code (i.e. S505-3-R)

Dimensions

Drawing Not to Scale



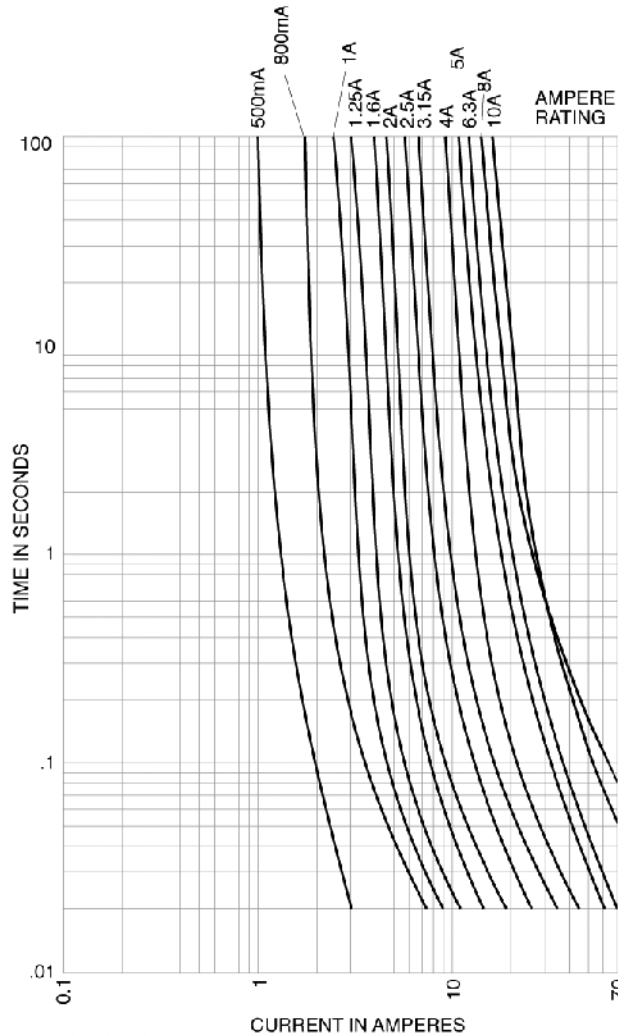
- Ratings above 6.3A have a 0.8mm diameter lead
- With TR2 packaging code, lead wire length is 19.05mm

SPECIFICATIONS

| Product Code | Voltage Rating AC | Interrupting Rating at Rated Voltage (50Hz) AC | Typical DC Cold Resistance (ohms)* | Typical Melting I ² t (A ² Sec) AC† | Typical Voltage Drop (mV)‡ |
|--------------|----------------------|--|--|---|----------------------------------|
| S505-500mA | 250V | 1500A | 0.507 | - | 295 |
| S505-800mA | 250V | 1500A | 0.237 | - | 189 |
| S505-1A | 250V | 1500A | 0.138 | 0.74 | 170 |
| S505-1.25A | 250V | 1500A | 0.089 | 1.6 | 150 |
| S505-1.6A | 250V | 1500A | 0.060 | 3.5 | 130 |
| S505-2A | 250V | 1500A | 0.041 | 7.6 | 110 |
| S505-2.5A | 250V | 1500A | 0.030 | 14 | 100 |
| S505-3.15A | 250V | 1500A | 0.021 | 27 | 90 |
| S505-4A | 250V | 1500A | 0.015 | 52 | 85 |
| S505-5A | 250V | 1500A | 0.011 | 98 | 80 |
| S505-6.3A | 250V | 1500A | 0.008 | 197 | 75 |
| S505-8A | 250V | 1500A | 0.007 | 311 | 75 |
| S505-10A | 250V | 1500A | 0.006 | 397 | 72 |
| S505-12A | 250V | 1000A | 0.005 | 714* | 77 |

* DC Cold Resistance (Measured at <10% of rated current)
 † Typical Melting I²t (I²t was measured at listed interrupting rating and rated voltage)
 ‡ Typical Voltage Drop (Voltage drop was measured at 20°C ambient temperature at rated current)
 x Typical Melting I²t was measured at 10 times the rated current under DC

TIME CURRENT CURVE
Time-Current Characteristics—Total Clear



| PACKAGING CODE | |
|----------------|---|
| Packaging Code | Description |
| BK | 100 pieces of fuses packed into a cardboard carton |
| BK1 | 1,000 pieces of fuses packed into a poly bag |
| TR2 | 1,500 pieces of fuses packed into tape on a reel (19.05mm lead wire length) |

| OPTION CODE | |
|-------------|--|
| Option Code | Description |
| V | Axial leads - copper tinned wire with nickel plated brass overcaps |
| -R | RoHS compliant version |